

## ZKM 150-350 PILLAR CRANES

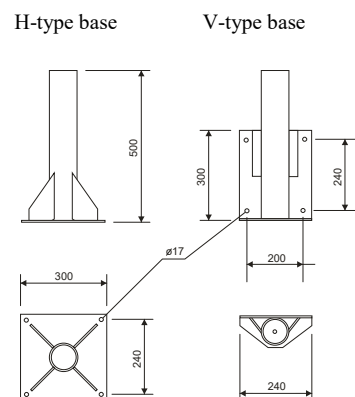
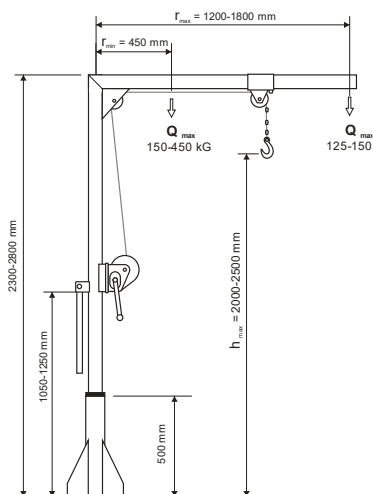
Cranes intended for handling of equipment in drainage basins, intermediate pumping stations and wastewater treatment plants. They eliminate the need for manual moving of heavy elements during installation and maintenance works. The design of cranes enables their easy disassembly and relocation, particularly in the standard version, with very low weight and overall dimensions.

Functions:

- vertical lifting and lowering as well as horizontal movement (rotation of crane pillar around vertical axis) of loads, whose weight does not exceed 150-450 kg,
- can be used as portable cranes.

Crane symbol	ZKM 150	ZKM 250	ZKM 350	Unit
Type of winch	WLS 250	WLS 250	WLS 500	-
Maximum lifting capacity	125 - 150	125 - 250	125 - 350	kg
Maximum reach		1.2 - 1.8		m
Max lifting height		2.0 - 2.5		m
Angle of rotation		360		degrees
Total height		2.5		m
Line diameter	4	5	5	mm
Line length		10		m
Maximum line length	36	18	48	m
Lowering depth	5 m below foundation level for 10 m line			m
Line termination	hook or shackle			-
Crane weight without base	45 - 54	46 - 55	50 - 59	kg
Weight of H-type base		13		kg
Weight of V-type base		10		kg
Overall dimensions	2.3 - 2.8 x 1.3 - 1.8 x 0.2			m
Base fixing screws	4 M16 screws with minimum strength class 5.6			-
Material	hot-galvanized steel (OC) or stainless steel (SS)			-

The data above should only be used in conjunction with up to date and detailed information on [www.biox.pl](http://www.biox.pl)



od 1989

mieszadła



natleniacze



dekantery



zbieracze



żurawiki



przewodnice



wciągarki